

What is the **SaveAir**?

An independent diaphragm regulator that supplies a constant and exact outlet pressure regardless of input pressure fluctuations. Can be installed in any compressed air system.

The SaveAir prevents dynamic pressure waste that arises when the pressure and flow (at the process point) are unnecessarily higher than those specified by the original manufacturer to achieve the desired function.

SaveAir Benefits

- Supplies compressed air systems with pre-set pressure. No gauge needed.
- Prevents compressed air waste (also known as dynamic pressure waste). Saves energy.
- Reliable, small and compact design that is easy to install and affordable to purchase.
- Locked to prevent pressure changes. Increases device service life. Tamper proof.

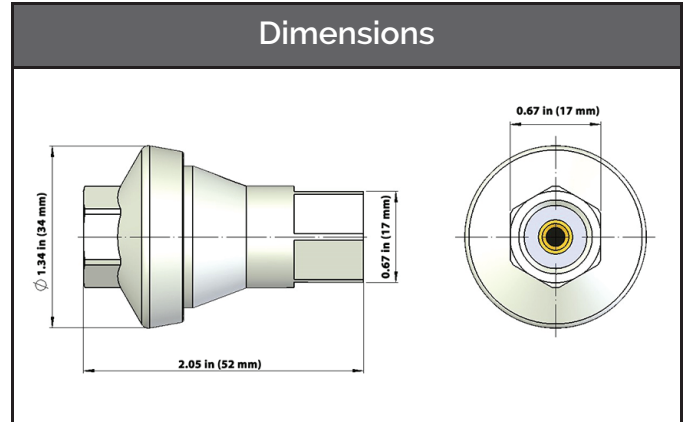


Technical Specifications	
Max Inlet Pressure	255 PSIG (18 bar)
Outlet Pressures (preset)	15 to 135 PSIG; 1.5 to 4 bar*
Thread Connection	1/4" NPT, 1/4 BSP
Flows	14 SCFM
Temperature Range	32° to 140° F (0° to 60° C)
Materials	Housing: Zinc Other materials: Nitrile rubber, brass, stainless steel, PPH
Weight	80 grams/2.82 oz.

*Other sizes available

Installation

The regulator ensures that a constant pressure is always maintained, despite the normal pressure fluctuations in a system. To avoid unnecessary loss of pressure in long pipes or hoses, the regulator has to be mounted as close as possible to the point of consumption.



- ### Applications
- Pneumatic supply lines
 - Automotive
 - Pneumatic power tools
 - Pump, flow stabilization
 - Workshop equipment
 - Many other pneumatic applications

THREAD CONNECTION	MAX INLET PRESSURE	MAX REGULATED OUTPUT PRESSURE	TOLERANCES	MAX FLOW (at 174 psig; Δp 7 psig)	SAVEAIR PART NUMBER
1/4" NPT	255 psig (18 bar)	15 psig	±4.35 psig	14.2 scfm	PIR231AS1215
1/4" NPT	255 psig (18 bar)	23 psig	±4.35 psig	14.2 scfm	PIR231AS1223
1/4" NPT	255 psig (18 bar)	30 psig	±4.35 psig	21.3 scfm	PIR231AS1230
1/4" NPT	255 psig (18 bar)	35 psig	±4.35 psig	21.3 scfm	PIR231AS1235
1/4" NPT	255 psig (18 bar)	45 psig	±4.35 psig	24.7 scfm	PIR231AS1245
1/4" NPT	255 psig (18 bar)	50 psig	±10%	24.7 scfm	PIR231AS1250
1/4" NPT	255 psig (18 bar)	60 psig	±10%	24.7 scfm	PIR231AS1255
1/4" NPT	255 psig (18 bar)	65 psig	±10%	24.7 scfm	PIR231AS1265
1/4" NPT	255 psig (18 bar)	75 psig	±10%	24.7 scfm	PIR231AS1275
1/4" NPT	255 psig (18 bar)	80 psig	±10%	24.7 scfm	PIR231AS1280
1/4" NPT	255 psig (18 bar)	90 psig	±10%	28.3 scfm	PIR231AS1290
1/4" NPT	255 psig (18 bar)	95 psig	±10%	28.3 scfm	PIR231AS1295
1/4" NPT	255 psig (18 bar)	100 psig	±10%	28.3 scfm	PIR231AS12100
1/4" NPT	255 psig (18 bar)	110 psig	±10%	28.3 scfm	PIR231AS12110
1/4" NPT	255 psig (18 bar)	120 psig	±10%	28.3 scfm	PIR231AS12120
1/4" NPT	255 psig (18 bar)	135 psig	±10%	28.3 scfm	PIR231AS12135
1/4" BSP	255 psig (18 bar)	1.5 bar	±0.3 bar	14.2 scfm	PIR231A0215
1/4" BSP	255 psig (18 bar)	3.5 bar	±0.3 bar	24.7 scfm	PIR231A0235
1/4" BSP	255 psig (18 bar)	4.0 bar	±0.3 bar	24.7 scfm	PIR231A0240



Protect-Air USA
Miniature Regulators Distributed by
PROPORTION AIR

877-406-3215



info@proportionair.com



Buy online at ProtectAirUSA.com